

Specifications of PVDF Module (STERAPORE™ 5500 Series)

[Table of Specifications]

| Model No. | Element Model No. | Number of Elements (pcs) | Membrane Surface Area (m ²) | Dry Weight (kg) | Minimum water depth (m) |
|-----------|-------------------|--------------------------|---|-----------------|-------------------------|
| 55M0060FF | 55E0006SM | 10 | 60 | 120 | 1.8 |
| 55M0120FF | | 20 | 120 | 190 | 1.8 |
| 55M0180FF | | 30 | 180 | 260 | 1.8 |
| 55M0150FF | 55E0015SA | 10 | 150 | 350 | 2.3 |
| 55M0300FF | | 20 | 300 | 500 | 2.3 |
| 55M0450FF | | 30 | 450 | 650 | 2.3 |
| 55M0600FF | | 40 | 600 | 850 | 2.3 |
| 55M0250FF | 55E0025SA | 10 | 250 | 400 | 3.0 |
| 55M0500FF | | 20 | 500 | 600 | 3.0 |
| 55M0750FF | | 30 | 750 | 800 | 3.0 |
| 55M1000FF | | 40 | 1,000 | 1,000 | 3.0 |
| 55M1500FF | | 60 | 1,500 | 1,550 | 3.0 |

[Table of Dimensions]

| Model No. | Element Model No. | Dimensions (mm) | | | Connection | | Reference drawing |
|-----------|-------------------|-----------------|-------|--------|-----------------|------------|-------------------|
| | | Depth | Width | Height | Permeate Nozzle | Air Nozzle | |
| | | A | B | C | D | E | |
| 55M0060FF | 55E0006SM | 642 | 855 | 1,922 | R2 | R2 1/2 | ① |
| 55M0120FF | | 642 | 1,295 | 1,922 | R2 | R2 1/2 | |
| 55M0180FF | | 642 | 1,735 | 1,922 | R2 | R2 1/2 | |
| 55M0150FF | 55E0015SA | 1,524 | 940 | 2,098 | 65A | 80A | ② |
| 55M0300FF | | 1,524 | 1,390 | 2,098 | 65A | 80A | |
| 55M0450FF | | 1,524 | 1,870 | 2,098 | 65A | 80A | |
| 55M0600FF | | 1,524 | 2,320 | 2,098 | 65A | 80A | |
| 55M0250FF | 55E0025SA | 1,524 | 940 | 2,798 | 65A | 80A | ② |
| 55M0500FF | | 1,524 | 1,390 | 2,798 | 65A | 80A | |
| 55M0750FF | | 1,524 | 1,870 | 2,798 | 65A | 80A | |
| 55M1000FF | | 1,524 | 2,320 | 2,798 | 65A | 80A | |
| 55M1500FF | | 1,524 | 3,416 | 2,798 | 65A | 80A | |

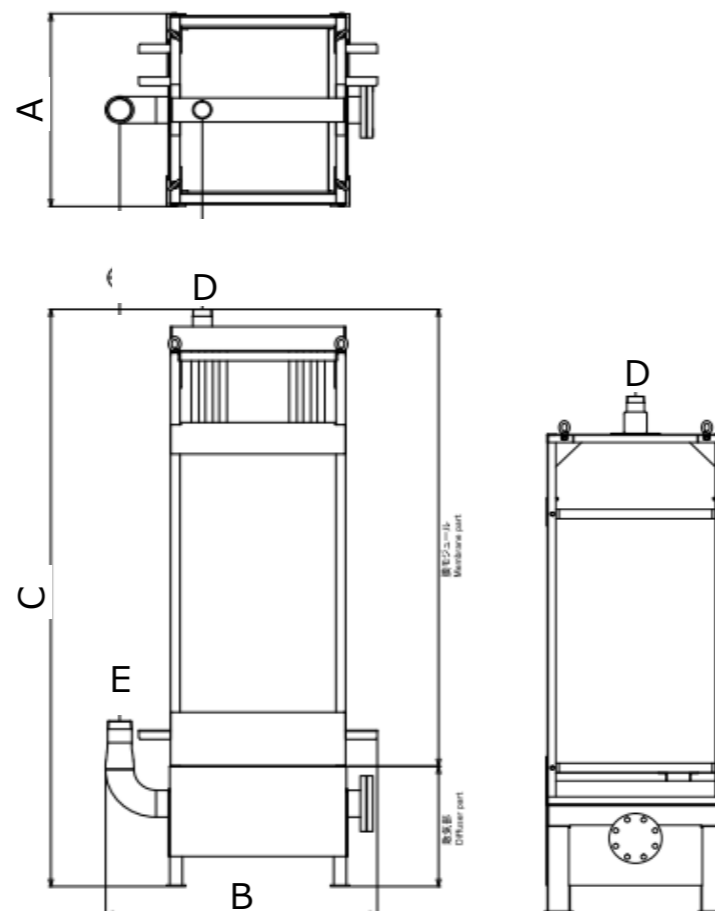
* : Please contact us for more information.

Product specifications and shape described herein are subject to change without notice.

<Illustration of Module>



<Reference drawing ①>



<Reference drawing ②>

