

Specifications of PVDF Module (STERAPORE™ 7500 Series)

[Table of Specifications]

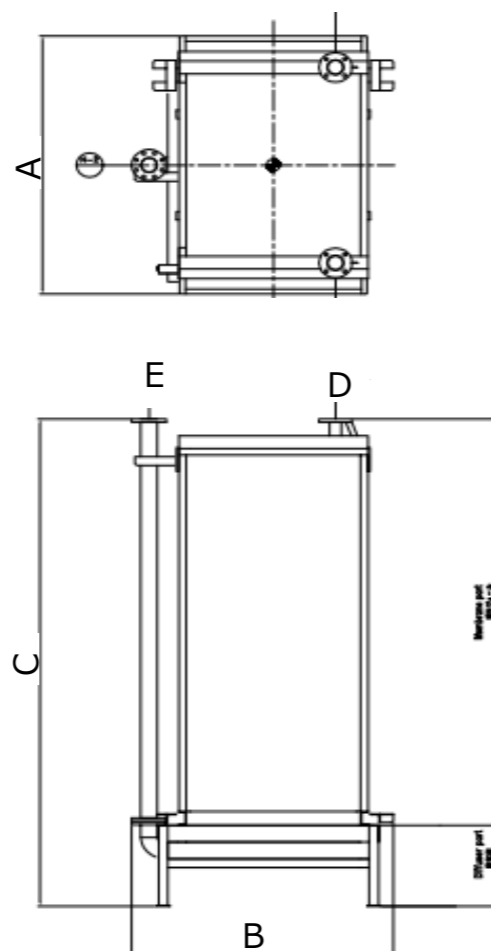
| Model No. | Element ModelNo | Number of Elements (pcs) | Membrane Surface Area (m ²) | Dry Weight (kg) | Minimum water depth (m) |
|-----------|-----------------|--------------------------|---|-----------------|-------------------------|
| 75M0150FP | 75E0015SA | 10 | 240 | 350 | 1.8 |
| 75M0300FP | | 20 | 480 | 500 | 1.8 |
| 75M0450FP | | 30 | 720 | 700 | 1.9 |
| 75M0600FP | | 40 | 960 | 850 | 1.9 |
| 75M0250FP | 75E0025SA | 10 | 400 | 400 | 2.5 |
| 75M0500FP | | 20 | 800 | 600 | 2.5 |
| 75M0750FP | | 30 | 1,200 | 800 | 2.6 |
| 75M1000FP | | 40 | 1,600 | 1,000 | 2.6 |
| 75M1500FP | | 60 | 2,400 | 1,550 | 2.6 |

Product specifications and shape described herein are subject to change without notice.

<Illustration of Module>



< Reference drawing ① >



[Table of Dimensions]

| Model No. | Element Model No. | Dimensions (mm) | | | Connection | | Reference drawing |
|-----------|-------------------|-----------------|-------|--------|-----------------|------------|-------------------|
| | | Depth | Width | Height | Permeate Nozzle | Air Nozzle | |
| | | A | B | C | D | E | |
| 75M0150FP | 75E0015SA | 1,524 | 921 | 1,898 | 65A | 50A | ① |
| 75M0300FP | | 1,524 | 1,371 | 1,898 | 65A | 50A | |
| 75M0450FP | | 1,524 | 1,895 | 1,928 | 65A | 80A | |
| 75M0600FP | | 1,524 | 2,345 | 1,928 | 65A | 80A | |
| 75M0250FP | 75E0025SA | 1,524 | 921 | 2,598 | 65A | 50A | |
| 75M0500FP | | 1,524 | 1,371 | 2,598 | 65A | 50A | |
| 75M0750FP | | 1,524 | 1,895 | 2,628 | 65A | 80A | |
| 75M1000FP | | 1,524 | 2,345 | 2,628 | 65A | 80A | |
| 75M1500FP | | 1,524 | 3,396 | 2,678 | 65A | 80A | |

* : Please contact us for more information.